



# SCS GASTIGHT CA DOORS



- ▣ Inflatable Gastight System Seals in Seconds
- ▣ Horizontal Slide, Vertical Lifting, or Hinged
- ▣ Optional Gastight Window
- ▣ R-34 Rating with Thermally Separated Frame
- ▣ Standard Sizes (Custom Available)
- ▣ Entirely Made in Sparta, MI USA

## SPECIFICATIONS

### DOORS

Thickness: 4" IMP Leaf Construction  
Colors: White Standard, Custom Colors Available  
Frame: Extruded Anodized Aluminum Profiles  
Case: Anodized Aluminum Profiles  
Seal: 100% Gastight Inflatable with Improved Radius at Corners  
Mounting: Aluminum Rail with Synthetic Rollers; Hinge Option

### WINDOWS

Synthetic Hinged Window and Case Made of Impact-Proof PVC  
23.5" x 23.5" Gas-Filled Insulating Glass  
Opening Direction: Left-Hand Opening  
Closing: Five Point Lock and Handle  
Locking: Cylinder Lock  
Emergency: Unlocking Available from Inside with Handle

Storage Control Systems, Inc. is proud to offer your local source for doors and parts in Yakima, WA and Sparta, MI. Long lead times are a thing of the past, even with custom sizes built to order in a few days out of our Michigan headquarters. These gastight doors have been the standard in the USA for over 20 years in the fruit industry in Europe for 40+ years. With our production capability, a new level of service & affordability makes them the right choice for all gastight applications.

Not only does the door slide easily on the aluminum track, but seals within 2 minutes! To seal a room, the door is closed, six latches are snapped into place on the supplied door frame, then the patented inflatable seal is simply pumped up using a hand pump. The pressure gauge can be monitored to ensure the seal is holding against any imperfections in the floor or wall surfaces.

The construction of the door is an aluminum, thermally separated extrusion around the perimeter, and the door leaf is made of our 4" insulated metal panel with Kynar coating for exterior applications. The door can come completely assembled or shipped and assembled on site by SCS technicians. Multiple styles of doors are available, and all are very innovative with unique designs, so contact us today for more information on the right door for you!

© 2022 STORAGE CONTROL SYSTEMS, LTD. ALL RIGHTS RESERVED. CONTACT US FOR MORE INFORMATION.



STORAGE CONTROL SYSTEMS, INC  
100 APPLEWOOD DRIVE SPARTA MICHIGAN · SODUS NEW YORK · ZILLAH WASHINGTON  
T 616.887.7994 · F 616.887.1128 · INFO@STORAGECONTROL.COM · STORAGECONTROL.COM



# SCS GASTIGHT CA DOORS



*Gastight CA Door on Ext. Tilt-Up Concrete*

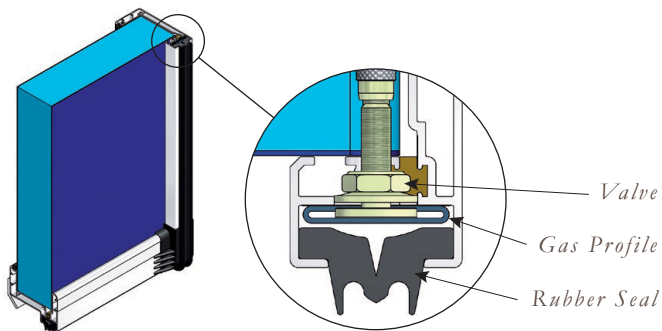


*Vertical Lift Gastight CA Doors*



*Vertical Lift Gastight CA Door with Motor*

## INFLATABLE SEAL SECTION



*Valve*

*Gas Profile*

*Rubber Seal*



*Aluminum Profile Machines at SCS Headquarters in Michigan*



*Improved Seal Radius at Bottom of Doors for Better Seal*



*Improved Case Radius at Bottom of Doors for Better Seal*

© 2022 STORAGE CONTROL SYSTEMS, LTD. ALL RIGHTS RESERVED. CONTACT US FOR MORE INFORMATION.



STORAGE CONTROL SYSTEMS, INC

100 APPLEWOOD DRIVE SPARTA MICHIGAN · SODUS NEW YORK · ZILLAH WASHINGTON  
T 616.887.7994 · F 616.887.1128 · INFO@STORAGECONTROL.COM · STORAGECONTROL.COM